

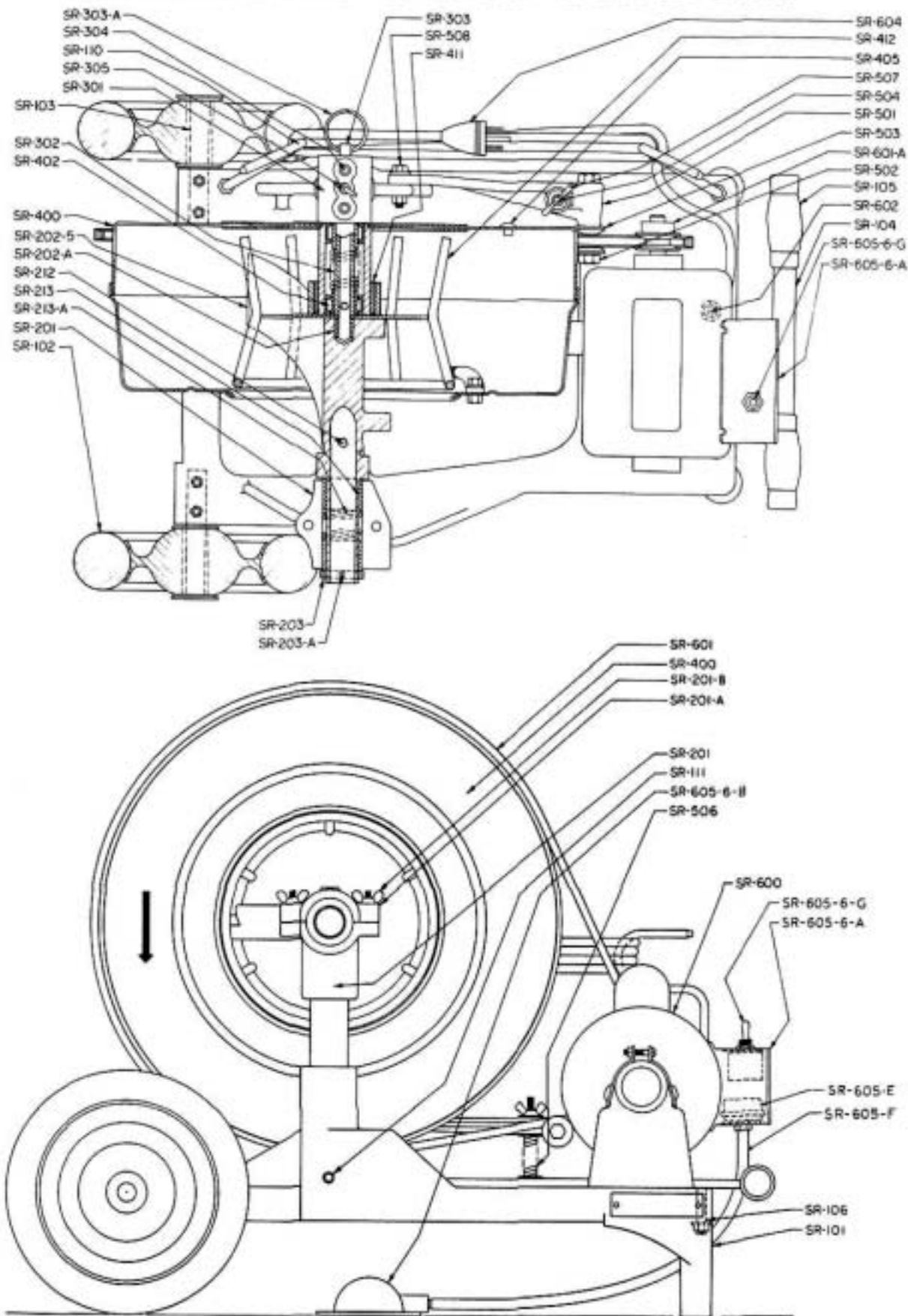
# SEWERooter SENIOR

## Parts List and Diagrams

CAT. NO.	DESCRIPTION	CAT. NO.	DESCRIPTION
SR-100-2	Complete Frame Assembly (Ser. #2911 and Over)	SR-500	Idler Arm Assembly Complete
SR-101-2	Sr. Frame Only (Ser. #2911 & Up)	SR-501	Idler Arm Only
SR-102-2	Hvy.Duty 10" Wheel (Ser.#3073& Up)	SR-502	Idler Arm Bearing Shaft
SR-103-2	5/8" Axle Shaft (Ser. #3073 & Up)	SR-503	Idler Arm V-Belt Pulley
SR-104	Extension Handle	SR-504	Idler Arm Tension Pin
SR-105	Extension Handle Grip	SR-505	Idler Arm Tension Pin Nut
SR-106-1	Ext. Handle Locking Pin Assy.	SR-506	Idler Arm Tension Pin Spring
SR-110	Electric Cord Holder	SR-507	Idler Arm Wing Nut
SR-111	3/8" Allen Set Screw (12)	SR-508	Idler Arm Nut, Bolt & Washer
SR-114	Belt Guard	SR-600-7	1/2 hp Motor Comp. w/Rev. Switch & Foot Switch, & G.F.I.
SR-200-R-3	Complete Distributor Tube & Front Post Assy. (Ser. #3374 & Up)	SR-600-8	3/4 hp Motor Comp. w/Rev. Switch & Foot Switch, & G. F. I.
SR-201-3	Front Bearing Post & Cap (Serial #3374 and Over)	SR-3 HP	Gas Engine for Senior (3 hp)
SR-201-A	Front Post Cap	SR-G-1	Small Drive Gear for Gas Engine
SR-201-B	Front Post Wing Nut (2) <b>Disc.</b>	SR-G-2	Large Dr. Gear & Pulley for Gas Eng.
SR-201-C	Front Post Cap Bolts (2)	SR-G-3	Belt Guard for Gas Senior
SR-202-5-2	Distributor Tube (Includes SR-202-A, B & C) (Serial #3374 thru #10200)	SR-G-4	Gas Engine Mounting Plate
SR-202-5-3	Dist. Tube (Inc. SR-202-A Only) (Serial #10201 and Over)	SR-G-5	Drum V-Belt for Gas Senior (72")
SR-202-A	Oilite Bearing for Drum Support Pin (Serial #3374 and Over)	SR-G-6	Gear Shaft
SR-202-D	Thrust Bearing	SR-601	Drum V-Belt (68")
SR-203	Front Collar	SR-601-A	V-Belt Pulley
SR-203-A	Set Screws for Front Collar (2)	SR-602	Motor Support Bolts (4)
SR-212	1/2" Locking Set Screws	SR-603	Motor Support Washers (2)
SR-213	Distributor Tube Bushing (2)	SR-604	20 Ft. Power Cord with G. F. I.
SR-213-A	Bushing Spacer Spring	SR-605-1	Elec. Foot Switch Assy. <b>Disc.</b> (Through Serial #5977)
SR-300-2	Drum Post Assembly Complete (Ser. #3374 and Over)	SR-605-4	Comp. Watertight Foot Switch Assy. (Serial #5978 through #10478)
SR-301-2	Drum Post Only (Ser. #3374 & Up)	SR-605-5	Comp. Air Foot Switch Assy. <b>Disc.</b> (Serial #10479 thru 10795)
SR-302-2	Drum Support Shaft w/Bearing Races (Serial #3374 and Over)	SR-605-6	Air Foot Switch & Rev. Switch Assy. (Serial #10796 and Over)
SR-303-2	Distributor Tube Support Pin (Serial #3374 and Over)	SR-605-6-A	Box only with Cover & Screws
SR-303-A	Pull Ring	SR-605-6-B	Foot Pedal & Hose
SR-304	3/8" Allen Set Screw (2)	SR-605-6-C	Cable Tie
SR-305	Drum Shaft Thumb Screw	SR-605-6-D	Foot Pedal Only
SR-306	Felt Washer	SR-605-6-E	Power Switch Diaphragm
SR-401-1	Container Complete with Inner Drum Cage (Ser. #10201 and Over)	SR-605-6-F	Air Hose
SR-402-2	Roller Bearing for Container (Serial #3374 and Over) (2)	SR-605-6-G	Reverse Switch Only - 3-Way
SR-406	Cable Retaining Bolt & Washer	SR-605-6-J	Barbed Adapter
SR-410	Drum Connecting Cable & Lug	SR-605-6-N	Strain Relief Nut
SR-411	Beveled Bushing for Inner Drum Cage (Serial #10201 and Over)	SR-606-2	Switch Only for Elec. Ft. Switch Assy. (Serial #1846 thru #5977)
SR-412	Inner Drum Cage (Ser. #10201 & Up)	SR-606-4	Switch Only for Watertight Ft. Switch (Serial #5978 thru #10478)
SR-413	1/2 SAE Spacer Washer (Serial #10201 and Over)	SR-607-3	Reverse Switch Housing Only (Serial #5978 thru #10795)
		SF-SR	Spin-Feed for Sewerooter Senior
		PO-SR/GT	SR Power Cable Feed & Guide Tube
		GFI-SR	Gnd. Fault Interrupter w/Cord for Sr.
		SR-DECAL	Set of Safety Decals

**General Wire Spring Co.**

# SEWERooter SENIOR



**IMPORTANT: When ordering, give Serial Number of Machine.**