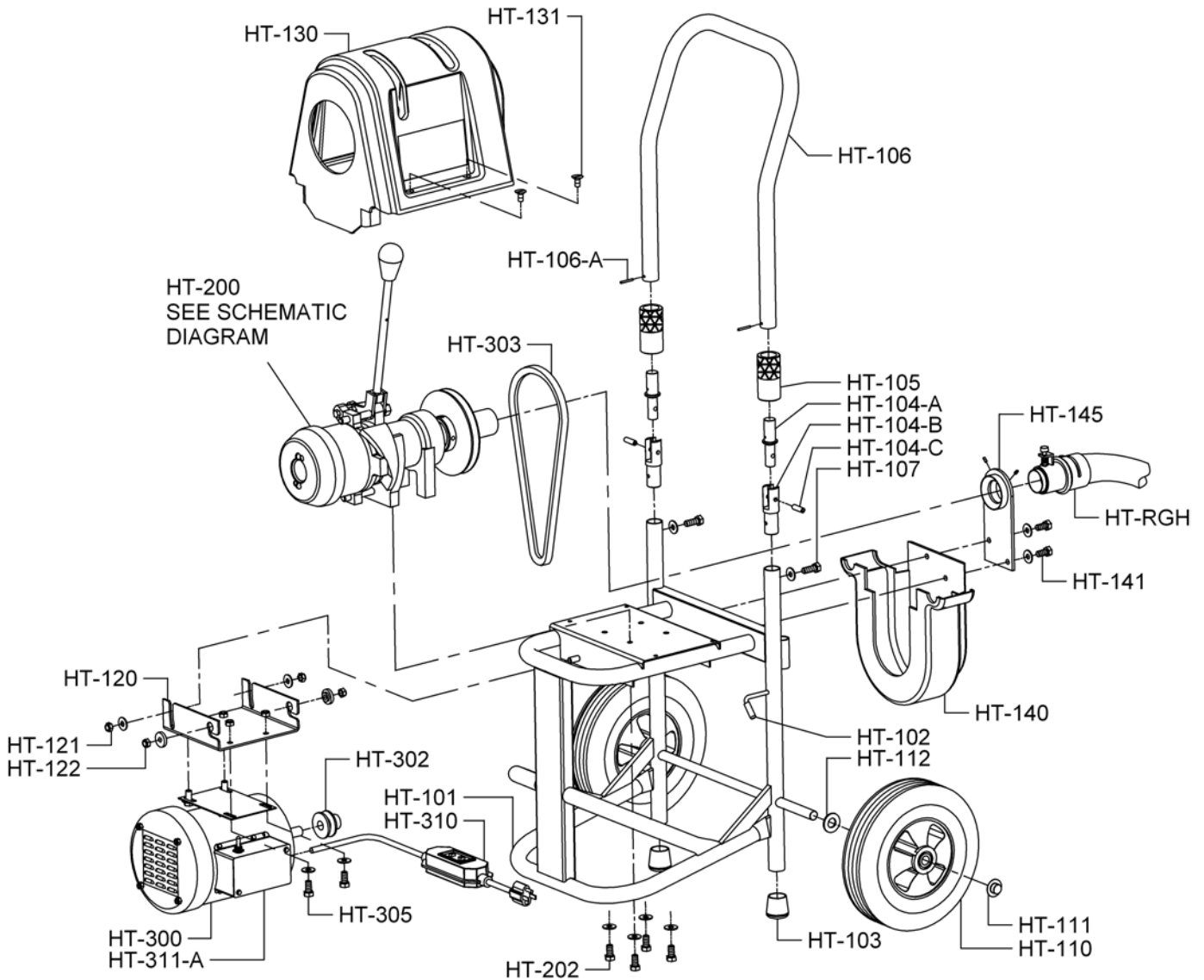
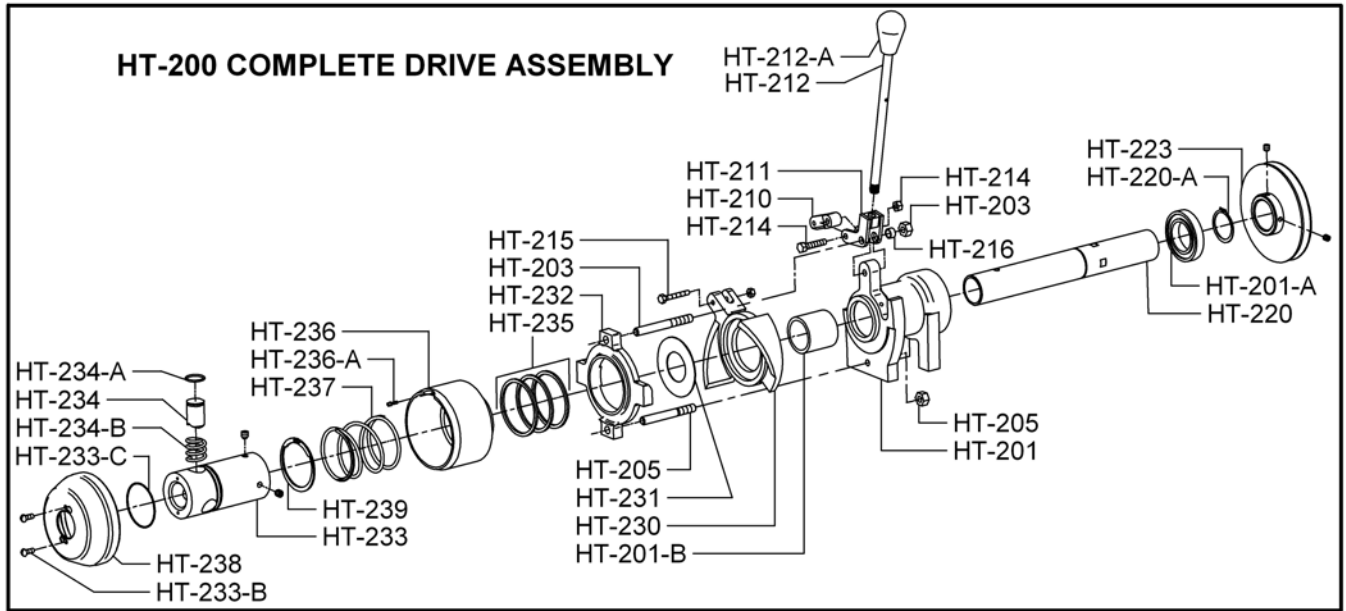


## HOT-RODDER PARTS LIST

CAT. NO.	DESCRIPTION	CAT. NO.	DESCRIPTION
HT-100	Complete Frame	HT-214	Bolt & Nut for Yoke
HT-101	Base w/Axle	HT-215	Bolt & Nut for Cam
HT-102	Rubber Cord Wrap Tips (2)	HT-216	Link Bushing
HT-103	Rubber Leg Tip (2)	HT-220	Chuck Shaft
HT-104	Handle Hinge Assembly	HT-220-A	Chuck Shaft Snap Ring
HT-104-A	Hinge Top	HT-223	Chuck Pulley w/Set Screws
HT-104-B	Hinge Bottom	HT-230	Chuck Cam
HT-104-C	Hinge Roll Pin (1)	HT-231	Steel Plate Spacer
HT-105	Handle Locking Sleeve	HT-232	Chuck Cam Follower
HT-106	Handle	HT-233	Chuck Body w/Set Screws
HT-106-A	Handle Roll Pin	HT-233-A	Chuck Body Set Screws (2)
HT-107	Handle Bolts & Washers (2)	HT-233-B	Chuck Cone Round Head Screws (2)
HT-110	10" Wheels	HT-233-C	Positioning Ring for Chuck Jaws
HT-111	Hat-Type Push Nut (2)	HT-234	Chuck Jaws w/Rings (3) - for 1-1/4" Cables
HT-112	Spacer Washers (2)	R-R10AD	Chuck Jaws w/Rings (3) - for 7/8" Cables
HT-120	Motor Mounting Bracket	HT-234-A	Chuck Jaw Rings (3)
HT-121	Motor Mount Nuts & Washers (2)	HT-234-B	Chuck Jaw Springs (3)
HT-122	Motor Mount Nuts & Bushings (2)	HT-235	Chuck Bearings & Races
HT-130	Chuck Cover	HT-236	Chuck Cone
HT-131	Chuck Cover Screws (4)	HT-236-A	Jaw Retaining Cap Screw & (2) Washers
HT-140	V-Belt Cover	HT-237	Chuck Cone Return Spring
HT-141	V-Belt Cover Mounting Screws/Washers (2)	HT-238	Chuck Cone Cover
HT-145	Rear Spout Assembly	HT-239	Spring Retention Ring
HT-200	Chuck Assembly	HT-300	3/4 hp Motor Assembly
HT-201	Chuck Housing	HT-302	Motor Pulley
HT-201-A	Rear Ball Bearing	HT-303	V-Belt (32")
HT-201-B	Front Bronze Bushing	HT-305	Motor Mounting Bolts, Nuts, & Washers (4)
HT-202	Hex Head Bolts w/Washers (4)	GFI-20	20' Power Cord w/Ground Fault Circuit Interrupter
HT-203	Upper Guide Pin w/Nut	HT-311	Reverse Switch Assembly
HT-205	Lower Guide Pin w/Nut	HT-311-A	Box Only w/Cover & Screws
HT-210	Chuck Handle Link	HT-311-C	Strain Relief Strap
HT-211	Chuck Handle Yoke	HT-311-G	Reverse Switch
HT-212	Chuck Handle Rod w/Knob	HT-RGH	Rear Guide Hose
HT-212-A	Chuck Handle Knob	HT-DECAL	Set of Safety Decals

# HOT-RODDER SCHEMATIC DIAGRAM



**IMPORTANT: When ordering, give Serial Number of Machine.**