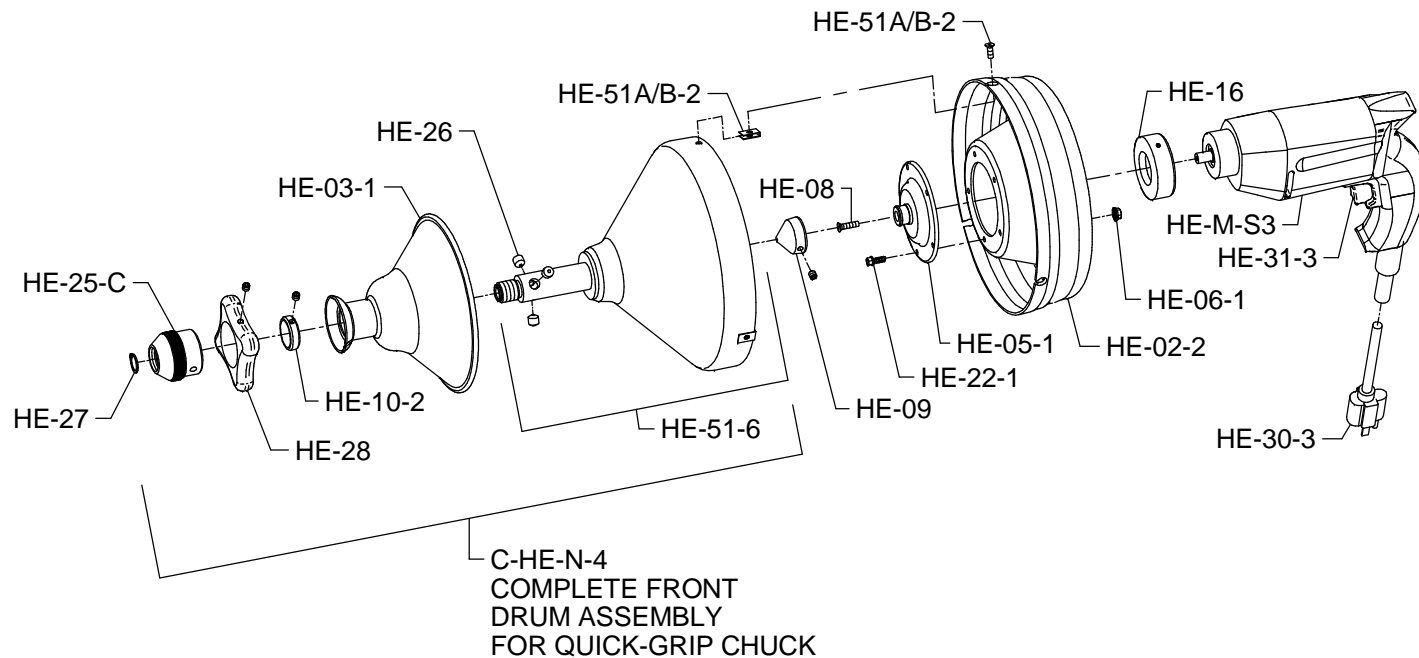
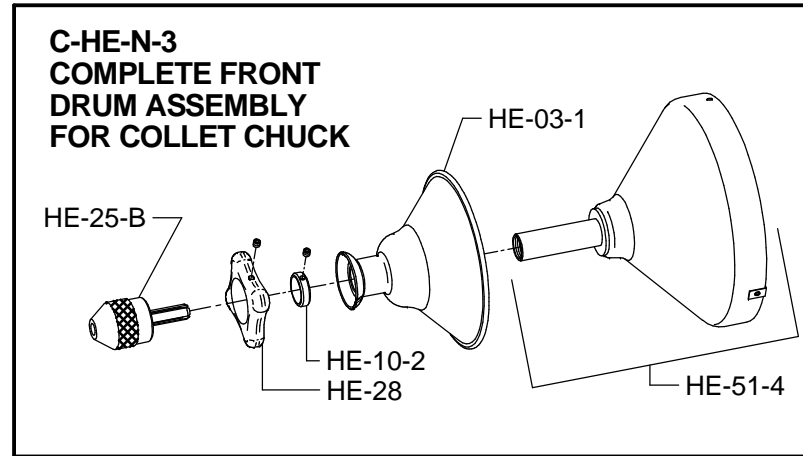
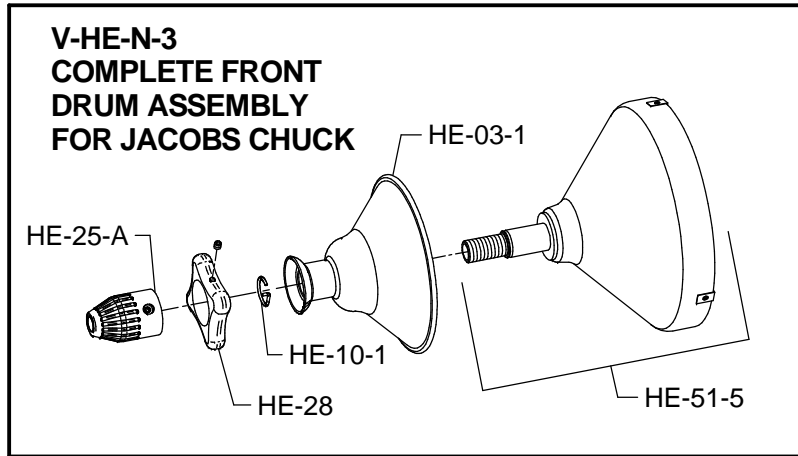


# HANDLECTRIC SCHEMATIC DIAGRAM



**IMPORTANT: When ordering, give Serial Number of Machine.**