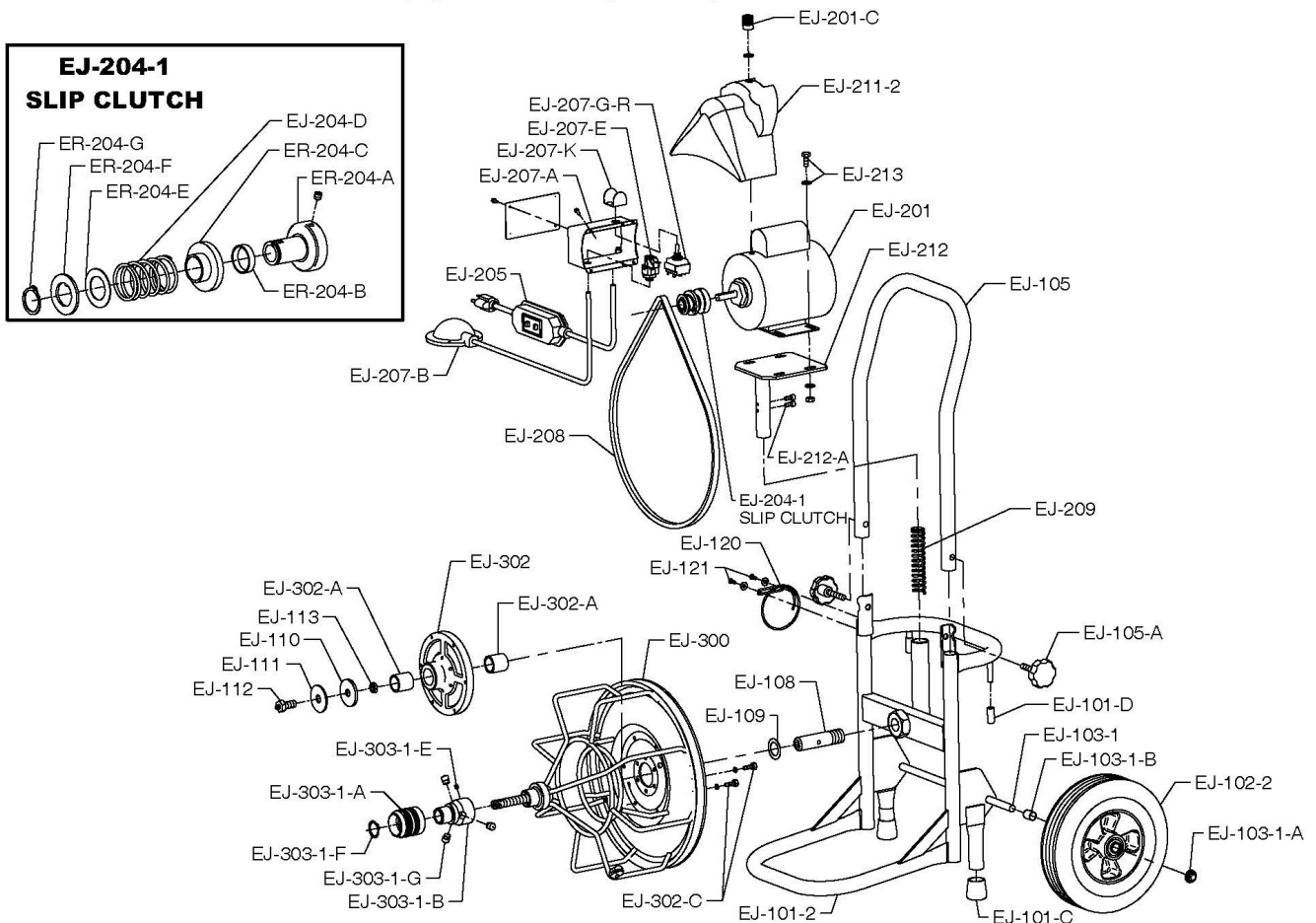


TROUBLE SHOOTING GUIDE (TABLE 3)

Problem	Probable Cause	Solution
Cable kinking, tangling or breaking.	Cable is being forced.	Do not force the cable! Let the cutter do the work.
	Cable used in incorrect pipe diameter.	Use 1/2" cables in 2" to 4" lines (Do not use 1/2" cables on roots).
	Motor switched to reverse.	Use reverse only if cable gets caught in pipe – only for a few seconds at a time.
	Cable exposed to acid.	Clean and oil cables regularly.
	Cable worn out.	Cable can be repaired using "Quick Fix" or "Repair Sleeve." If cable has broken several times, replace it.
Cable tangles in cage.	Operator forcing cable.	Do not force the cable. Let the cutter do the work.
	Machine running in reverse.	Do not run the machine in reverse to retract the cable from the drain.
Cage stops while foot pedal depressed.	Hole in pedal or hose.	Replace damaged component.
	Hole in diaphragm switch.	If no problem found with pedal or hose, replace diaphragm switch.
	Thermal overload activated.	Allow motor to cool. Press reset switch.
Cage turns in one direction but not other.	Faulty reverse switch or momentary contact switch.	Replace switch. Note: Momentary contact switch must be held in position when using reverse.
	Ground Fault Circuit Interrupter trips when machine is plugged in or when foot pedal is depressed.	Frayed power cord. Replace cord set. Short circuit in motor. Take motor to authorized service center (Call General for Details). Excess moisture in area. Remove excess moisture from area. Faulty Ground Fault Circuit Interrupter. Replace Ground Fault Circuit Interrupter.
Motor turns but cage does not.	Slip clutch slipping because cable is being forced.	Do not force cable. Do not allow too much slack between cable and machine.
	Slip clutch is worn.	Replace slip clutch.

**EASY ROOTER JUNIOR
SCHEMATIC DIAGRAM**



IMPORTANT: When ordering, give Serial Number of Machine.

EASY ROOTER JUNIOR PARTS LIST

CAT. NO.	DESCRIPTION	CAT. NO.	DESCRIPTION
EJ-100-2	Complete Frame w/Heavy Duty Wheel	EJ-204-1	Slip Clutch
EJ-101-2	Frame Only (Heavy Duty Wheel)	ER-204-A	Fixed Pulley Half
EJ-101-C	Passive Brakes (Rubber Leg Tip (2))	ER-204-B	Spacer
EJ-101-D	Cord Wrap Cap (2)	ER-204-C	Moveable Pulley Half
EJ-102	8" Rubber Wheel (1)	EJ-204-D	Spring
EJ-102-1	10" Rubber Wheel (1)	ER-204-E	Thrust Washer
EJ-102-2	10" Rubber Wheel (1) (Heavy Duty Wheel)	ER-204-F	Thrust Bearing
EJ-103	Axle (10" Wheel)	ER-204-G	Retaining Ring
EJ-103-A	Wheel Caps (2)	EJ-205	20' Power Cord w/Plug & GFCI
EJ-103-B	Axle Washers (2)	EJ-207	Air Foot Switch and Rev. Switch Assembly
EJ-103-1	5/8" Axle (Heavy Duty Wheel)	EJ-207-A	Box Only with Cover & Screws
EJ-103-1-A	Wheel Caps for 5/8" Axle (2)	EJ-207-B	Foot Pedal & Hose
EJ-103-1-B	Axle Spacers (2)	EJ-207-C	Hose Clamp (2)
EJ-105	Handle with Knobs	EJ-207-D	Foot Pedal
EJ-105-A	Handle Locking Knob (2)	EJ-207-E	Power Switch Diaphragm
EJ-106	Brake Rod	EJ-207-F	Air Hose
EJ-106-A	Roll Pin (1/8" x 1")	EJ-207-G-R	Momentary Contact Reverse Switch Only (Red)
EJ-107	Brake Rod Handle w/Knob	EJ-207-H	Rubber Switch Boot
EJ-107-A	Plastic Knob	EJ-207-K	Switch Guard
EJ-107-B	Axle Retaining Pin (1/8" x 5/8")	EJ-208	V-Belt (47")
EJ-107-C	Brake Rod Latch w/Screws	EJ-209	Motor Support Spring
EJ-108	Drum Support Shaft	EJ-211	Belt Guard w/Velcro
EJ-109	Bronze Thrust Washer	EJ-211-2	Belt Guard w/Slot for Stud
EJ-110	Felt Washer	EJ-212	Motor Support Bracket with Guide Screws
EJ-111	Drum Hub Retaining Washer	EJ-212-A	Guide Screws (2)
EJ-112	Drum Shaft Retaining Bolt	EJ-213	Nuts, Bolts, Washers (4)
EJ-113	High Collar Lock Washer	EJ-300	Cage with Hub and Bearings
EJ-116	Screws & Washers (2)	EJ-302	Cage Hub with Bearings
EJ-120	Tool Holder	EJ-302-A	Cage Hub Bearings (set)
EJ-121	Tool Holder Screws & Washers (2)	EJ-302-C	Bolts & Lock Washers (12)
EJ-201	1/3 hp Capacitor Motor Complete w/Air Foot Switch, Rev. Switch Assembly, & GFCI	EJ-303	Cable Locking Thumb Screw
EJ-201-C	Knob	EJ-303-1	Quick-Grip Chuck Assembly
		EJ-303-1-A	Grip Knob
		EJ-303-1-B	Quick-Grip Body
		EJ-303-1-E	Set Screw
		EJ-303-1-F	Retaining Ring
		EJ-303-1-G	Set of Grippers (3)
		EJ-DECAL	Set of Safety Decals
		EJ-VIDEO	Instructional DVD

General Wire Spring Co.
1101 Thompson Avenue
McKees Rocks, PA 15136

412-771-6300 www.drainbrain.com